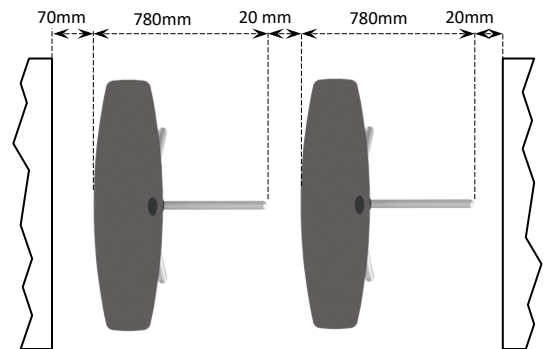
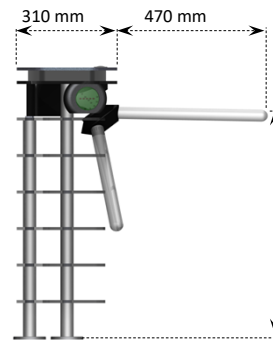
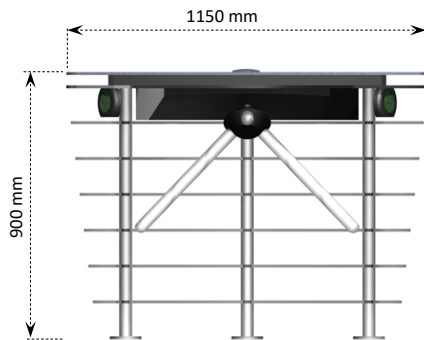
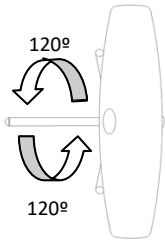


# PL 777 TECHNICAL SPECIFICATIONS



- Power Requirements** : 110/220V. 60/50Hz. AC (%±10) 24V. DC at standby ~4,5W. max. ~13W.
- Dimensions** : 900x1150x310 + Arm length (470mm)
- Arm Features** : Three Ø40 mm transparent acrylic arms. Can be dismantled or mounted one by one separately. (Opt. Aluminium or stainless steel)
- Body Features** : The natural granite (Star Galaxy Black) stone (2cm thickness) on top is a standard feature for a decorative and aesthetical appearance. Lower body is made of Art-Line design semi-transparent layered dark grey plexiglas panels.
- Indicator Features** : Green Arrow & Red Cross LED
- Operating Temperature, Humidity, IP Rating** : -20°C - +68°C / RH 95% non-condensing / IP 44 Indoor Model
- Minimum Passage Performance** : 15 million passages.
- Control System** : All inputs are opto-coupler protected .Controlled by dry contact or grounding input. Compatible with all access control systems that provide dry contact or grounding outputs. Optional RS232/RS485/TCP IP control module is available.

■ Operation

: Manually operated bi-directional system (optional motorized) with dip switch selectable operational modes including controlled access on both sides, one side free (exit or entry) and other side controlled access and access restriction modes.

■ Output Data

: The system provides dry contact passage feedback by relays.

■ Emergency Mode

: (Standard: Fail Safe); in case of power failure or emergency, the arms rotate freely to allow rapid passage (Opt. Fail Secure).

■ Flow Rate

: Passage Capacity of Mechanism (Manual System):~90 passages/minute  
Nominal: ~25 - 46 passage-per-minute (Recommended reference figure)

❖ Explanatory Notes:

-The above given figures are approximate for one person per walkway or lane.

-The system allows the new passage authorisation in less than ~0, 3 seconds. After the passage authorization, the total passage time depends on the pushing and passage speed of the people.

-Utilisation of different access control units can change the flow rate.

■ Standard Features

: Direction and status indicators on top and sides.

■ Optional Accessory and Applications

: Remote control units, interface unit for PC, RS485, RS232 and LAN, counter, audio-messaging system, motor driven unit, automatic drop (retractable) arm, alarm sensor, heater positive unit, coin slot/intelligent coin system and coin box, card reader pole, pipe barrier (Separator), floor mounting plate.

*\*Design and specifications are subject to change without notice.*