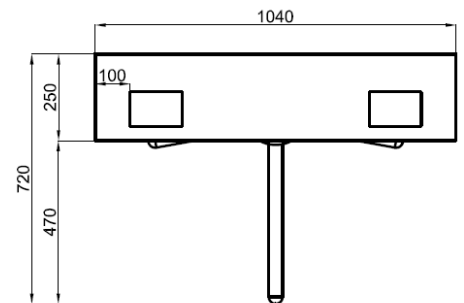
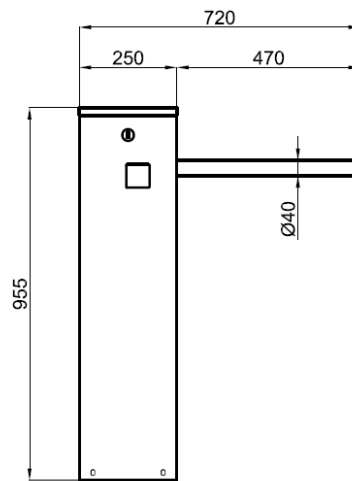
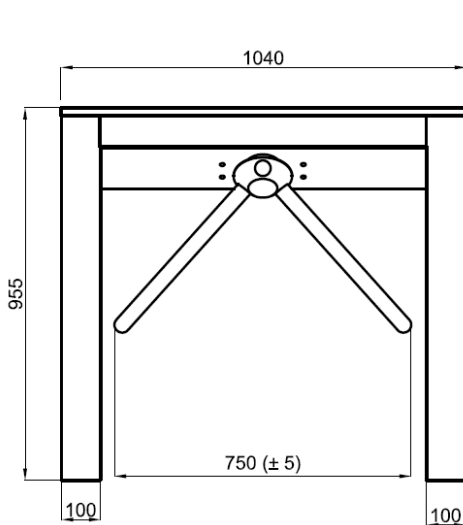
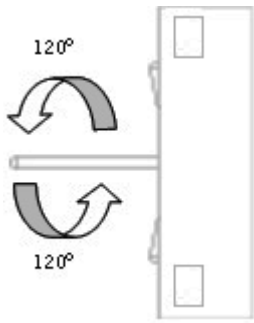


# PL 201 TECHNICAL SPECIFICATIONS



- Power Requirements : 110/220V. 60/50Hz. AC (%±10) 24V.DC at standby ~11W.max. ~60W.
- Dimensions : 1040 x 250 (+ arm length 470) x955mm
- Arms : Single-sided Ø40mmx2mm 304-Grade (Opt. 316-Grade) Stainless steel (Opt. anodised hard aluminium). Arms can be dismantled or mounted one by one separately.
- Body Features : 304-Grade (Opt. 316-Grade) Stainless steel orbital brushed matt (opt. satin brushed) surface protected against water for outdoors use, with flat and angular top lid versions.
- Indicator Features : Green Arrow & Red Cross LED standard direction indicators.
- Operating Temperature, Humidity, IP Rating : -20°C - +68°C (Opt. -50°C with heater unit) / RH 95% non-condensing / IP 54 Outdoor Model (Opt. IP 56)

- Minimum Passage Performance : 15 million passages.
- Control System : All inputs are opto-coupler protected .Controlled by dry contact or grounding input. Compatible with all access control systems that provide dry contact or grounding outputs. Optional RS232/RS485/TCP IP control module is available.
- Operation : Bi-directional passage, manually (Opt. Motorized) operated system.
- Output Data : The system provides dry contact passage feedback by relays.
- EmergencyMode : (Standard: Fail Safe); in case of power failure or emergency, the arms rotate freely to allow rapid passage (Opt. Fail Secure).
- Flow Rate : Passage Capacity of Mechanism (Manual System):  
Max. 97/minute  
Nominal ~41 passages/minute (Recommended reference figure)  
❖ Explanatory Notes:  
-The above given figures are approximate for one person per walkway or lane.  
-The system allows the new passage authorisation in less than ~0,3 seconds. After the passage authorization, the total passage time depends on the pushing and passage speed of the people.  
-Utilisation of different access control units can change the flow rate.
- Standard Features : Direction indicators on sides, cut-out and acrylic cover for card reader mounting (when requested at the time of purchase order).
- Optional Accessory and Applications : Remote control units, interface unit for PC, RS485, RS232 and LAN, counter, audio-messaging system, motor driven unit, automatic drop (retractable) arm, alarm sensor, heater positive unit, coin slot/intelligent coin system and coin box, card reader pole, pipe barrier (Separator), base plate, customised top covers to accommodate various accessories.

*\*Design and specifications are subject to change without notice.*

